



Installation Instructions

2014 Chevy/GMC Winch Mount

Product Number: N3150

Application: '14 Chevy/GMC 1500

SAFETY

Your safety and the safety of others is very important.

- In order to help you make informed decisions about safety, we have provided installation instructions and other information.
- These instructions alert you to potential hazards that could hurt you or others.
- Please do a job safety analysis (JSA) before each task to identify potential hazards for your situation and remove/protect against them.
- You must use your own good judgment, and take your time.

Read and understand all safety precautions and instructions before installing this product.

THIS PRODUCT IS FOR OFFROAD USE ONLY. ALL LIABILITY FOR INSTALLATION AND USE RESTS WITH THE OWNER.

CARELESS INSTALLATION AND OPERATION CAN RESULT IN SERIOUS INJURY OR EQUIPMENT DAMAGE.

Injury hazard

Failure to observe these instructions could lead to severe injury or death.

- Always** remove jewelry and wear eye protection.
- Always** use extreme caution when jacking up a vehicle for work. Set emergency brake and use tire blocks. Locate and use the vehicle manufacturers designated lifting points. Use jack stands.
- Always** use appropriate and adequate care in lifting components into place.
- Always** insure components will remain secure during installation and operation.
- Always** wear safety glasses when installing this kit. A drilling operation will cause flying metal chips. Flying chips can cause serious eye injury.
- Always** use extreme caution when drilling on a vehicle. Thoroughly inspect the area to be drilled (on both sides of material) prior to drilling, and relocate any objects that may be damaged.
- Always** use extreme caution when cutting and trimming during fitting.
- Always** tighten all nuts and bolts securely per installation instructions.
- Always** route electrical cables carefully. Avoid moving parts, components that become hot and rough or sharp edges.
- Always** insulate and protect all exposed wiring and electrical terminals.
- Always** perform regular inspections and maintenance on mounts and related hardware.



Installation Instructions

2014 Chevy/GMC Winch Mount

Product Number: N3150

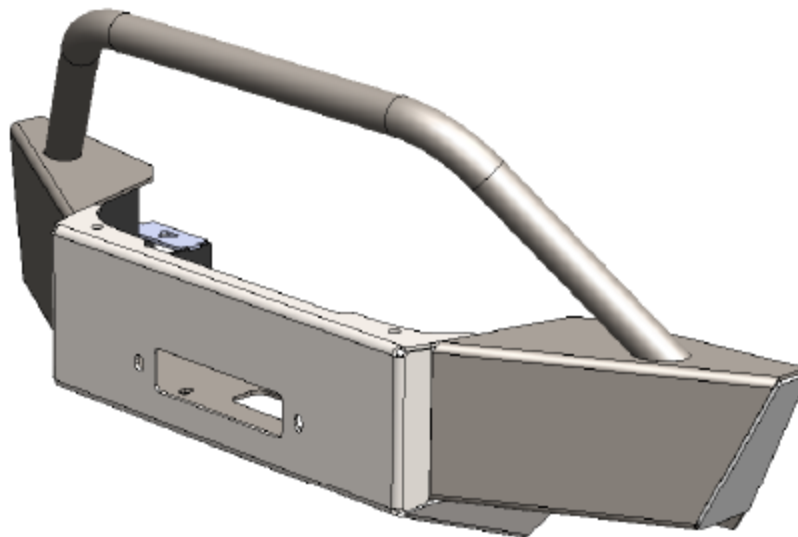
Application: '14 Chevy/GMC 1500

I. Overview

Congratulations on your new purchase of the industries' best and most stylish winch mount available for the '14 Chevy and GMC 1500! This winch mount has been **engineered** for strength.

Your winch mount is designed in 3-D from digitized data, CNC laser cut, fabricated, and powder coated...all in the U.S.A.

Enjoy the fit and finish of a quality Chevy & GMC 1500 Winch Mount from Fab Fours Inc.





Installation Instructions

2014 Chevy/GMC Winch Mount






Product Number: N3150

Application: '14 Chevy/GMC 1500

II. Tools Required

- 7mm , 15mm , & 18mm Sockets and Box End Wrenches
- T15 torx
- Flat Head Screw Drivers
- Floor Jack and wood block.
- Socket Wrench with Extension (Ratcheting wrenches may also be convenient)

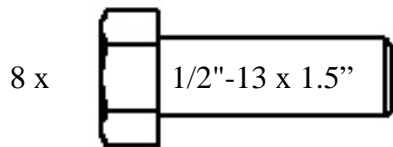
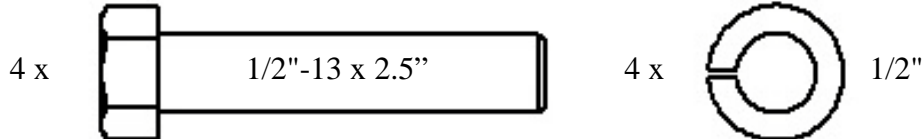
III. Kit Contents

QTY	DESCRIPTION	FAB FOURS PART NUMBER
 x 1	N3150 Winch Mount	N3150
 x 2	Tow Hook	61366
 x 2	Heavy Washer	20184-13
 x 1	N3060 Hardware Kit	N3060-HW
 x 1	N3150 Instruction Manual	N3150-IM
 X2	N3150 Mounting Brackets	20721/2



Installation Instructions
2014 Chevy/GMC Winch Mount
Product Number: N3150
Application: '14 Chevy/GMC 1500

IV. Included Hardware



V. Removal of Factory Tow Hooks



Installation Instructions

2014 Chevy/GMC Winch Mount

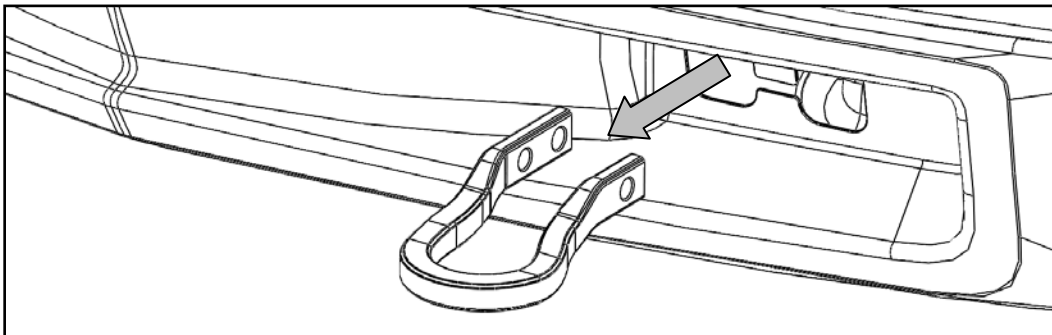
Product Number: N3150

Application: '14 Chevy/GMC 1500

There are two methods for removing the factory tow hooks, depending on preference. The first method leaves the OEM bumper in place (Ref. V). The second method requires the removal and replacement of the OEM bumper (Ref. VI).

A. *Using an 18mm Wrench, remove the rear bolt and the nut of the front thru bolt (Ref Figure 6a & 6b). If the front bolt cannot clear the bumper support frame use a cutting tool to cut the bolt as necessary to remove.*

B. *Remove the factory tow hooks, pulling them forward through the bumper.*



Factory tow hook removal

VI. Removal of OEM Bumper

Note: Save all OEM parts until installation is complete!

Installation Instructions

2014 Chevy/GMC Winch Mount

Product Number: N3150

Application: '14 Chevy/GMC 1500

- A. Open hood and locate push pins on radiator cover. Using a flat head screw driver, pull the head of the push pins up, remove push pin and lift radiator cover off. This will allow access to top Grille bolts (Ref. Figure 1).



Figure 1

- B. Remove the valence from the vehicle. Unfasten the screws located in the forward section of each wheel well connecting the wheel well liner and the trim to the vehicle (Ref. 2a). Carefully pull both the trim and liner away from the vehicle, this will grant access to the interior cavity and the screws holding the bumper and the 'backing support' to the vehicle (Ref. 2b).



Figure 2a



Figure 2b

- C. At this point carefully attempt to remove the valence. If the corner of the valence is still held in place by the black "backing support"



Installation Instructions

2014 Chevy/GMC Winch Mount

Product Number: N3150

Application: '14 Chevy/GMC 1500

secured to the frame by hex head screws, use a 7mm short socket or ratchet wrench to unscrew. The color coded arrows show the location and direction of screws (Ref. 2c-d). Corners of valence should easily pull away. Locate retaining clips at bottom of valence. Depress clips and begin to remove valence as each clip is released.

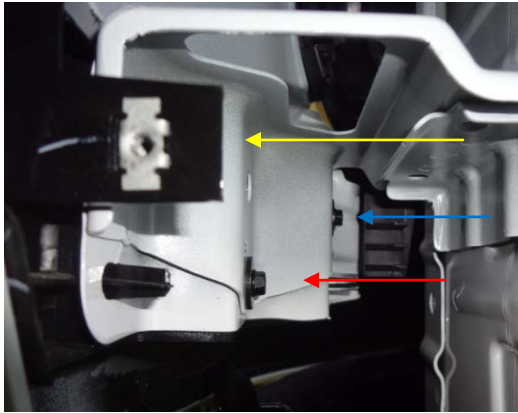


Figure 2c

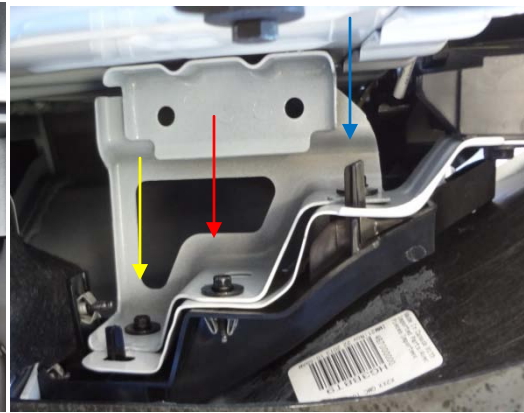


Figure 2d

D. Disconnect electrical harness from vehicle.



Figure 3(electrical harness disconnected)



Installation Instructions

2014 Chevy/GMC Winch Mount

Product Number: N3150

Application: '14 Chevy/GMC 1500

- E. Remove the fasteners connecting the grille to the frame. Eight bolts, indicated by the red ovals, are located at the top and bottom of the grille and two bolts are located behind the grill.



Figure 4a



Figure 4b



Figure 4c



Figure 4d



Installation Instructions

2014 Chevy/GMC Winch Mount

Product Number: N3150

Application: '14 Chevy/GMC 1500

- F. Remove the fasteners connecting the bumper to the frame. Using a socket/wrench remove bolts from the top and bottom of bracket connected to the bumper. The bolts locations are indicated arrows and a square in the images. (Ref Figure 5 & Figure 4a). Pull bumper away from vehicle and remove forward facing bolts holding bracket to frame. Repeat process on each side of vehicle.



Figure 5



Installation Instructions

2014 Chevy/GMC Winch Mount

Product Number: N3150

Application: '14 Chevy/GMC 1500

- G. Remove bolts securing tow hooks to frame. Location is indicated in image below by green rectangle (Ref. 6b).



Figure 6a



Figure 6b

- H. Replace valence, grille, and OEM bumper by reversing the order of Removal steps A through F

VII. Installation Instructions

A. Insert mounting bracket through tow hook holes in bumper and into frame. Align bracket and frame holes and screw in 1/2"-13 x 1.5" bolts in front holes on each side of frame, leaving either side loose until both sides have been threaded. Using one 1/2"-13 x 1.5" bolt and a 'heavy washer' screw in through hole located at the bottom of the frame. Tighten all bolts and repeat on both sides.

B. At this point it is recommended to install the winch into the mount, following winch manufacturer's installation instructions.



Installation Instructions

2014 Chevy/GMC Winch Mount

Product Number: N3150

Application: '14 Chevy/GMC 1500

C. With the help of another person and a jack for support raise the winch mount into place and align the mounting bracket holes with winch mount slots. Insert 2.5" bolts through tow hooks into mounting brackets. Fully tighten all bolts after centering winch mount.

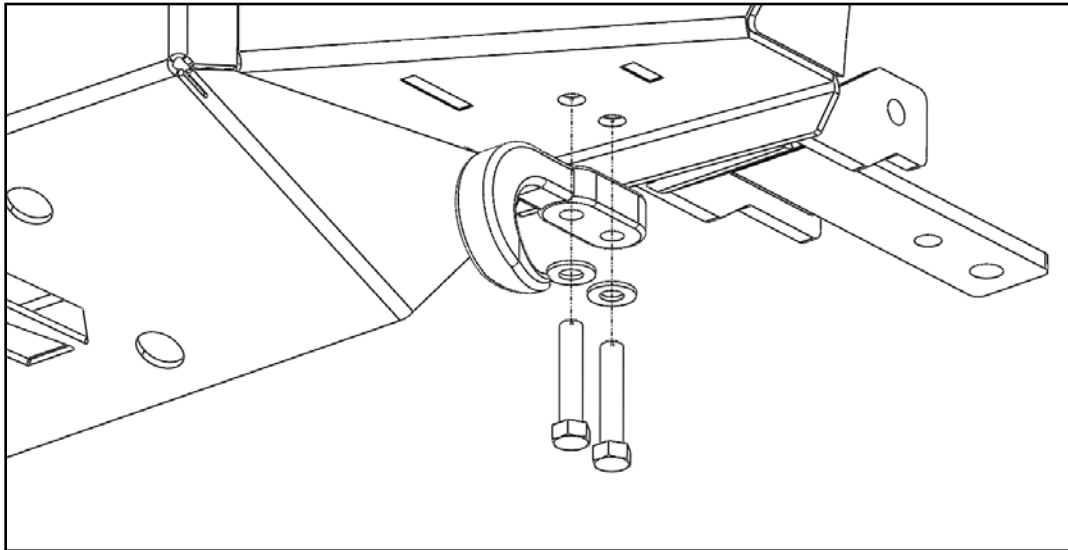


Figure 7 (Tow hook installation, bottom fasteners)

D. Enjoy your Fab Fours Winch Mount!



Installation Instructions

2014 Chevy/GMC Winch Mount

Product Number: N3150

Application: '14 Chevy/GMC 1500

VIII. Maintenance/Care

- Periodically check and tighten all fasteners
- Stripped, fractured, or bent bolts or nuts need to be replaced
- After washing of the vehicle make sure to fully dry all surfaces

IX. Contact Information

Fab Fours Inc.
1312 Camp Creek Rd.
Lancaster, SC 29720

Phone (866)-385-1905
Fax (866)-574-1424
Email Support@fabfours.com



More than expected... Better than expected