



Made in the U.S.A.!

Installation Instructions

Ford Superduty Winch Mount with Pre-Runner

Product Number: N1250

Application: 2005-2007 Ford Superduty

SAFETY

Your safety and the safety of others is very important.

- In order to help you make informed decisions about safety, we have provided installation instructions and other information.
- These instructions alert you to potential hazards that could hurt you or others.
- Please do a job safety analysis (JSA) before each task to identify potential hazards for your situation and remove/protect against them.
- You must use your own good judgment, and take your time.
- **Read and understand all safety precautions and instructions before installing this product.**
- ALL LIABILITY FOR INSTALLATION AND USE OF THIS PRODUCT RESTS WITH THE OWNER.
- **CARELESS INSTALLATION AND OPERATION CAN RESULT IN SERIOUS INJURY OR EQUIPMENT DAMAGE.**

Injury Hazard

Failure to observe these instructions could lead to severe injury or death.

- Always** remove jewelry and wear eye protection.
- Always** use extreme caution when jacking up a vehicle for work. Set emergency brake and use tire blocks. Locate and use the vehicle manufacturers designated lifting points. Use jack stands.
- Always** use appropriate and adequate care in lifting components into place.
- Always** insure components will remain secure during installation and operation.
- Always** wear safety glasses when installing this kit.
- Always** use extreme caution when drilling on a vehicle. Thoroughly inspect the area to be drilled (on both sides of material) prior to drilling, and relocate any objects that may be damaged.
- Always** use extreme caution when cutting and trimming during fitting.
- Always** tighten all nuts and bolts securely per the installation instructions.
- Always** route electrical cables carefully. Avoid moving parts, components that become hot and rough or sharp edges.
- Always** insulate and protect all exposed wiring and electrical terminals.
- Always** perform regular inspection and maintenance on mounts and related hardware.

Operating Safety

- NEVER stand on the Winch Mount while the vehicle is in motion.
- Clean mud and debris off of Winch Mount prior to winch operation.

Patent Notes:

There is one or more patent pending that covers this vehicle Winch Mount assembly. Making or selling reproductions of the Winch Mount without prior written permission from Fab Fours Inc. is prohibited, except as allowed under the U.S. patent laws.

Please visit www.fabfours.com/patents for more information.

I. Tools Required

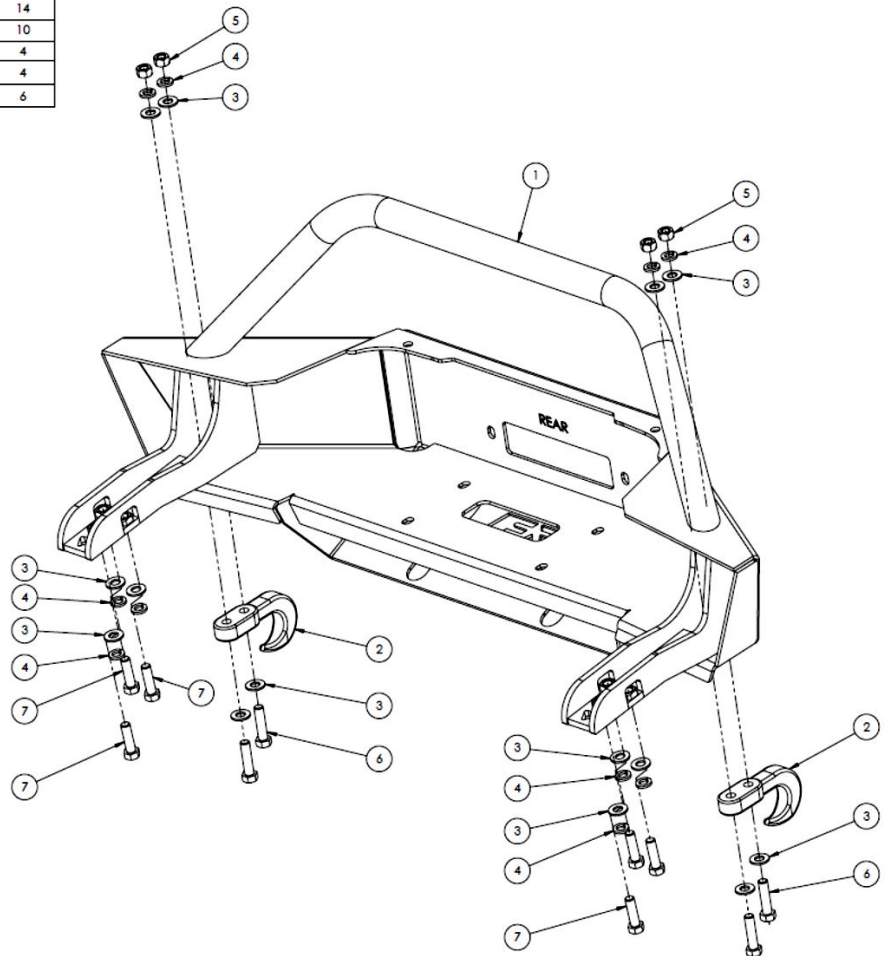
1/2" Drive Socket Wrench with 3" Extension, socket set, 1/2" Drive Torque Wrench and a wrench set.

II. Kit Contents

QTY	DESCRIPTION	FAB FOURS PART NUMBER
x 1	Winch Mount	N1250-W
x 2	Tow Hook	61366
x 1	N1250 Hardware Kit	N1250-HW
x 1	N1250 Ford Superduty Instruction Manual	N1250-IM

III. Included Hardware

ITEM NO.	PART NUMBER	DESCRIPTION	TOP LEVEL ASSY/QTY
1	N1250-W	WINCH MOUNT WELDMENT	1
2	StandardTowHook	STANDARD TOW HOOK	2
3	Preferred Narrow FW 0.5	1/2" FLATWASHER, ZINC	14
4	Regular LW 0.5	1/2" LOCKWASHER, ZINC	10
5	HNUT 0.5000-13-D-N	1/2"-13 HEX NUT, Gr.8, ZINC	4
6	HBOLT 0.5000-13x2x2-N	1/2"-13 x 2", HEX BOLT, Gr.8, ZINC	4
7	HBOLT 0.5000-13x1.75x1.75-N	1/2"-13 x 1.75" HEX BOLT, Gr.8, ZINC	6



IV. Vehicle Preparation

1. From underneath the vehicle, unbolt the OEM tow hooks. There are three bolts per tow hook.
2. Slide the OEM towhooks out from the ends of the framerails.

V. Installation of Fab Fours Winch Mount

1. Review the exploded parts view above
2. Install the small frame winch (Customer Supplied) into the winch mount.
3. Install the included tow hooks to the bottom of the winch mount using the longer ½” bolts. Be sure to use a washer under each bolt head, and a washer and lock washer under each nut.
3. With the aid of a lifting device or additional helpers, lift the winch mount and position it so that the mounts can slide through the tow hook openings in the OEM bumper.
4. Install the remaining ½” hardware through the holes in the frame and into the weld nuts in the winch mount. You should be using the shorter of the ½” bolts included in the hardware kit in this step. Be sure to include a washer and lockwasher under the head of each bolt.
5. Check winch mount for satisfactory alignment before tightening fasteners down completely.