



Made in the U.S.A.!

Installation Instructions

Chevy HD Winch Mount with Pre-Runner

Product Number: N2750

Application: 2011-2014 Chevy Heavy Duty

SAFETY

Your safety and the safety of others is very important.

- In order to help you make informed decisions about safety, we have provided installation instructions and other information.
- These instructions alert you to potential hazards that could hurt you or others.
- Please do a job safety analysis (JSA) before each task to identify potential hazards for your situation and remove/protect against them.
- You must use your own good judgment, and take your time.
- **Read and understand all safety precautions and instructions before installing this product.**
- ALL LIABILITY FOR INSTALLATION AND USE OF THIS PRODUCT RESTS WITH THE OWNER.
- **CARELESS INSTALLATION AND OPERATION CAN RESULT IN SERIOUS INJURY OR EQUIPMENT DAMAGE.**

Injury Hazard

Failure to observe these instructions could lead to severe injury or death.

- Always** remove jewelry and wear eye protection.
- Always** use extreme caution when jacking up a vehicle for work. Set emergency brake and use tire blocks. Locate and use the vehicle manufacturers designated lifting points. Use jack stands.
- Always** use appropriate and adequate care in lifting components into place.
- Always** insure components will remain secure during installation and operation.
- Always** wear safety glasses when installing this kit.
- Always** use extreme caution when drilling on a vehicle. Thoroughly inspect the area to be drilled (on both sides of material) prior to drilling, and relocate any objects that may be damaged.
- Always** use extreme caution when cutting and trimming during fitting.
- Always** tighten all nuts and bolts securely per the installation instructions.
- Always** route electrical cables carefully. Avoid moving parts, components that become hot and rough or sharp edges.
- Always** insulate and protect all exposed wiring and electrical terminals.
- Always** perform regular inspection and maintenance on mounts and related hardware.

Operating Safety

- NEVER stand on the Winch Mount while the vehicle is in motion.
- Clean mud and debris off of Winch Mount prior to winch operation.

Patent Notes:

There is one or more patent pending that covers this vehicle Winch Mount assembly. Making or selling reproductions of the Winch Mount without prior written permission from Fab Fours Inc. is prohibited, except as allowed under the U.S. patent laws.

Please visit www.fabfours.com/patents for more information.

I. Tools Required

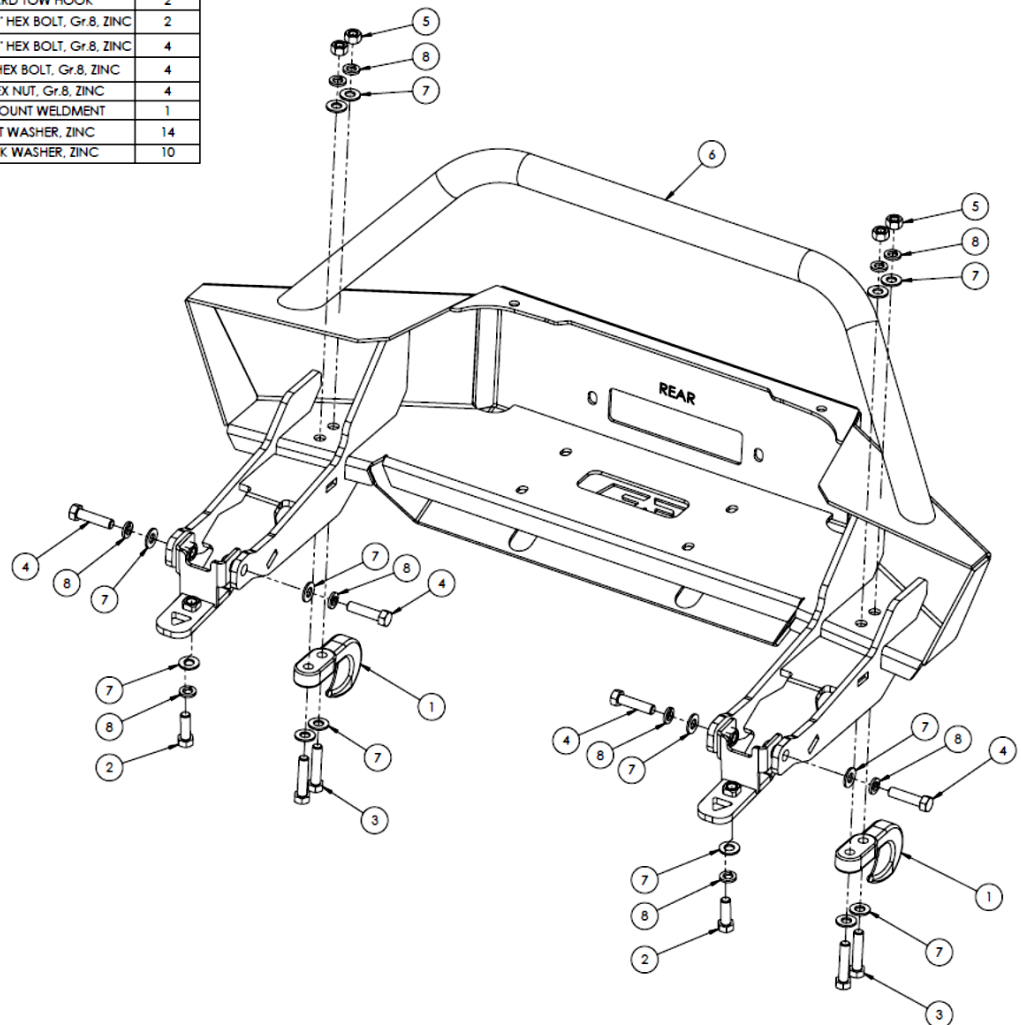
1/2" Drive Socket Wrench with 3" Extension, socket set, 1/2" Drive Torque Wrench and a wrench set.

II. Kit Contents

QTY	DESCRIPTION	FAB FOURS PART NUMBER
x 1	Winch Mount	N2750-W
x 2	Tow Hook	61366
x 1	N2750 Hardware Kit	N2750-HW
x 1	N2750 Chevy Heavy Duty Instruction Manual	N2750-IM

III. Included Hardware

ITEM NO.	PART NUMBER	DESCRIPTION	TOP LEVEL ASSY/QTY
1	61366	STANDARD TOW HOOK	2
2	HBOLT 0.5000-13x1.5x1.5-N	1/2"-13 x 1-1/2" HEX BOLT, Gr.8, ZINC	2
3	HBOLT 0.5000-13x2.25x2.25-N	1/2"-13 x 2-1/4" HEX BOLT, Gr.8, ZINC	4
4	HBOLT 0.5000-13x2x2-N	1/2"-13 x 2" HEX BOLT, Gr.8, ZINC	4
5	HNUT 0.5000-13-D-N	1/2"-13 HEX NUT, Gr.8, ZINC	4
6	N2750-W	WINCH MOUNT WELDMENT	1
7	Preferred Narrow FW 0.5	1/2" FLAT WASHER, ZINC	14
8	Regular LW 0.5	1/2" LOCK WASHER, ZINC	10



IV. Removal of OEM tow hooks (if applicable)

1. From underneath the driver side of the vehicle, remove the driver side OEM tow hook using a socket wrench.
2. Repeat the preceding steps to remove the passenger side OEM tow hook.

V. Installation of Fab Fours Winch Mount

1. Review the exploded parts view above
2. Install the two Tow hooks onto the winch mount using the hardware provided.
3. Torque the Tow Hook Mounting bolts to 106 Foot-Pounds.
4. Install the small frame winch (Customer Supplied).
5. With the aid of a lifting device or additional helpers, lift the winch mount and position it so that the rear tongues align with the holes in the factory bumper.
6. Carefully slide the Winch mount through the factory bumper and line up with the holes on the frame.
7. Install the provided hardware through the frame on each side of the vehicle.
8. Hand tighten the bolts through the frame and into the welded nuts located on the winch mount.
9. Torque all bolts to 106 Foot-Pounds.