



INSTALLATION MANUAL
UNIVERSAL BED RACK SYSTEM
PRODUCT NUMBER: RACK01-01
APPLICATION: FORD F150 FX4



IMPORTANT SAFETY GUIDE | Your safety and the safety of others is very important.

In order to help you make informed decisions about safety, we have provided the following warnings, safety precautions, installation instructions, and other important information to alert you to potential hazards that could hurt you or others.

Please do a job safety analysis before each task to identify potential hazards for your situation and remove/protect against them. Use own good judgment and take your time.

Check packaged materials immediately upon arrival to ensure that all listed parts are included and undamaged.

Read and understand all warnings, safety precautions, and instructions before installing this product.

SENSORS FIELD OF VIEW MAY BE ALTERED WITH USE OF THE REPLACEMENT BUMPER.

WARNINGS

- Failure to observe the following warnings and instructions provided in this manual could lead to severe injury and/or death.
- For professional installation only. Careless installation and/or operation can result in serious injury, death, and/or equipment damage. All liability for installation and use rests with the user or consumer.
- Fab Fours, Inc. only approves installing this product according to these written instructions with the hardware provided. Failure to install according to these instructions will invalidate the warranty. This includes, but is not limited to, using alternative installation methods, hardware, or materials.
- This product is for off road use only.

SAFETY PRECAUTIONS

- Always remove jewelry and wear eye protection.
- Always use extreme caution when jacking up a vehicle for work. Set emergency brake and use tire blocks. Locate and use the vehicle manufacturers designated lifting points. Use jack stands.
- Always use appropriate and adequate care in lifting components into place.
- Always ensure components will remain secure during installation and operation.
- Always wear safety glasses when installing this kit. A drilling operation will cause flying metal chips. Flying chips can cause serious eye injury.
- Always use extreme caution when drilling a vehicle. Always disconnect power before welding. Thoroughly inspect the area to be drilled (on both sides of material when possible) prior to drilling, and relocate any objects that may be damaged.
- Always use extreme caution when welding a vehicle. Thoroughly inspect the area to be welded (on both sides of material when possible) prior to welding, and relocate any objects that may be a fire hazard. When welding in a cab, make sure the interior surfaces are covered (e.g., welding blanket) and a fire extinguisher is at hand.
- Always use extreme caution when cutting and trimming during fitting.
- Always tighten all nuts and bolts securely per installation instructions.
- Always route electrical cables carefully. Avoid moving parts, components that become hot, and rough or sharp edges.
- Always insulate and protect all exposed wiring and electrical terminals.
- Perform regular inspections and maintenance on mounts and hardware.

TABLE OF CONTENTS

- 2 SAFETY / DISCLAIMER
- 3 TABLE OF CONTENTS
- 4 A MESSAGE FROM THE OWNER
- 5 GETTING STARTED
- 6 PROVIDED MATERIAL
- 7 DISASSEMBLY
- 9 INSTALLATION
- 12 CONTACT

A MESSAGE FROM THE OWNER



Fab Fours' was born out of a passion for customizing vehicles and a love of the outdoors. Our engineering team uses the latest 3D design software to turn new product ideas into reality. In our factory, designs come to life with the combination of cutting edge technology for metal cutting and forming and an American workforce that puts its' heart and pride into every product.

From design and manufacturing, to quality and delivery, Fab Fours' mission is to be the market leader for steel truck and jeep accessories. We make sure a quality product is delivered on time, more than expected, better than expected to our customers.

Enjoy your new Fab Fours product. Welcome to the family!

Greg Higgs

FOUNDER, FAB FOURS

GETTING STARTED

Before you begin the installation process of your new Fab Fours product, we suggest laying out all materials and parts on a pad or protective surface.

Failure to fully account for all components before beginning installation may leave vehicle immobile until part is acquired. Refer to the next pages as an inventory check.

PROVIDED MATERIALS



22458 Front DS Base Assembly



22459 Front PS Base Assembly



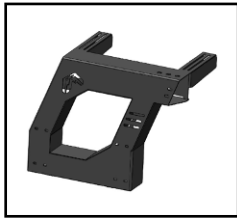
22468 QTY: 8
Mounting Hooks



22469 QTY: 4
Mounting Plate

50284-HW

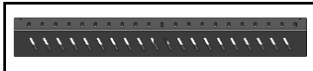
Rack01-01



22461 Rear PS Base Assembly



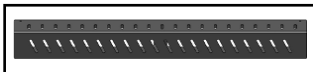
22460 Rear DS Base Assembly



22462 DS Beam



22464 QTY 3: Center Cross Bar



22463 PS Beam



22465 Rear Cross Bar

TOOLS REQUIRED

- 9/16" Socket/wrench
- 5/8" Socket/wrench
- 11/16" Socket/wrench

ASSISTANCE

We recommend two people perform the installation as items are heavy and may need to be held in place while installing.

ORGANIZATION

Disassemble the vehicle where you can catalog and store everything. We suggest labeling and bagging all the OEM bolts when removing from the vehicle. Failure to keep track of parts could lead to an inability to properly reinstall components.

HARDWARE KIT | 50284

FAB FOURS IDENTIFICATION	COMPONENT DESCRIPTION	QTY
50284-HW	7/16"-14 x 1", Yellow Zinc Hex Head Bolt, Grade 8	16
50284-HW	7/16"-14 Yellow Zinc Nylon Lock Nut, Grade 8	16
50284-HW	7/16" Yellow Zinc Flat Washers, Grade 8	32
50284-HW	3/8"-16 x 1", Yellow Zinc Hex Head Bolt, Grade 8	30
50284-HW	3/8"-16 Yellow Zinc Hex Nut, Grade 8	30
50284-HW	3/8" Yellow Zinc Lock Washer, Grade 8	30
50284-HW	3/8" Yellow Zinc Flat Washer, Grade 8	60

INSTALLATION

1. Take the two front assemblies (22458 and 22459) along with two of the cross bars (22464) and loosely install them together using eight (8) 3/8" bolts, washers and nuts (50284-HW). Figure 1

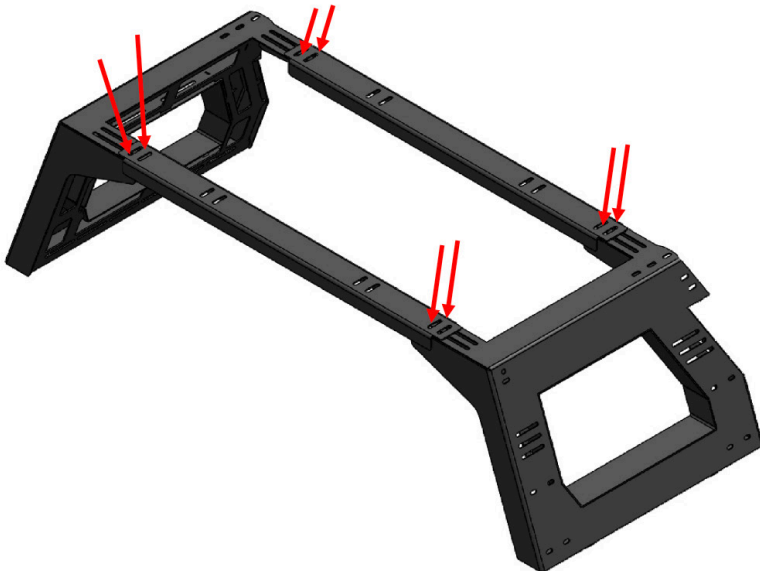


Figure 1

2. Take the two front assemblies (22460 and 22461) along with a cross bars and rear cross bar (22464 and 22465) and loosely install them together using ten (10) 3/8" bolts, washers and nuts (50284-HW). Figure 2

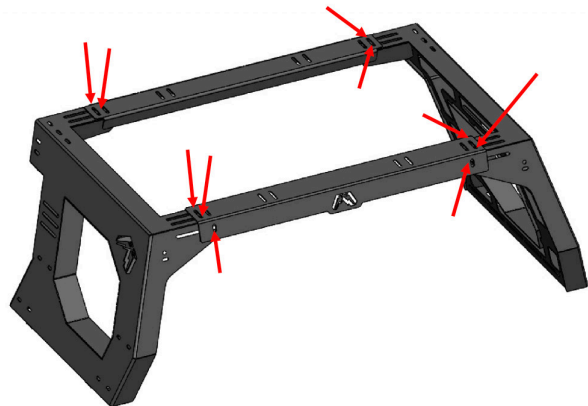


Figure 2

3. With assistance, lift the front assembly onto the bed of your truck and position it as desired. Take the two beam assemblies (22462 and 22463) and slide them into the front assembly. Figure 3

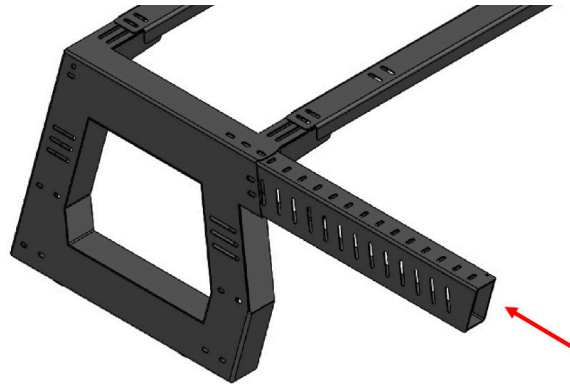


Figure 3

4. With assistance, lift the rear assembly onto the bed of your truck and slide it onto the other end of the beams. With the rack fully assembled, create the desired length of rack by sliding the front and rear assemblies along the beams.

5. Use six (6) 3/8" bolts, washers and nuts per side to attach the front and rear assemblies to the beams. Figure 4

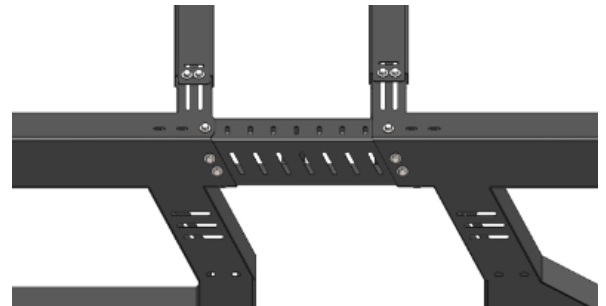


Figure 4

6. Use the provided hook mounts (22468) to attach the racks to the bed. With the rack in position, clamp each base assembly down and install the hook clamps using the provided 7/16" bolts, washers and lock nuts. Hook the lip of the truck bed and push the hook mount up and fully tighten the 7/16" hardware. Figure 5



Figure 5

7. If your truck does not accommodate the hook mount: Use the provided mount plates (22469) and drill into the lip to mount the rack.

8. Fully tighten all hardware on mounts, cross bars and beams.

CONTACT INFORMATION

**FAB FOURS INC.
2213 INDUSTRIAL PARK ROAD
LANCASTER, SC 29720**

PHONE: (866) 385-1905

FAX: 970-385-1914

EMAIL: SUPPORT@FABFOURS.COM

FABFOURS.COM



**“IF YOU’RE LOOKING FOR MORE OF THE SAME,
THEN YOU’VE COME TO THE WRONG PLACE.”**

- GREG HIGGS

